

A lattice model for the line tension of a sessile drop*

Daniel GANDOLFO[†]

Centre de Physique Théorique, CNRS
Luminy Case 907, F-13288 Marseille Cedex 9, France,
and Département de Mathématiques, Université du Sud Toulon-Var,
BP 132, F-83957 La Garde, France.

Lahoussine LAANAIT[‡]

Ecole Normale Supérieure de Rabat, BP 5118, Rabat, Morocco.

Salvador MIRACLE-SOLE[§]

Centre de Physique Théorique, CNRS
Luminy Case 907, F-13288 Marseille Cedex 9, France.

Jean RUIZ[¶]

Centre de Physique Théorique, CNRS
Luminy Case 907, F-13288 Marseille Cedex 9, France.

Abstract

Within a semi-infinite three-dimensional lattice gas model describing the coexistence of two phases on a substrate, we study, by cluster expansion techniques, the free energy (line tension) associated with the contact line between the two phases and the substrate. We show that this line tension, is given at low temperature by a convergent series whose leading term is negative, and equals 0 at zero temperature.

Keywords: line tension, surface tension, wetting, interfaces, lattice gas, Ising model, cluster expansion.

*Preprint CPT-2005/P.076 revised;

[†]*Email:* gandolfo@cpt.univ-mrs.fr

[‡]*Email:* laanait@yahoo.fr

[§]*Email:* miracle@cpt.univ-mrs.fr

[¶]*Email:* ruiz@cpt.univ-mrs.fr

1 Introduction

Suppose that we have a drop of some matter, here called the (+) or the dense phase, over a flat substrate, also called the wall, W , while both are in a medium, here called the (-) or the dilute phase. Equilibrium is obtained when the free energy of the surfaces of contact is a minimum. We have then three different surfaces of contact, and the total free energy of the system consists of three parts, associated to these three surfaces. A drop of the dense phase will exist provided its own two surface tensions exceed the surface tension between the substrate W and the medium, i.e., provided that

$$\tau^{w+} + \tau^{+-} > \tau^{w-}. \quad (1)$$

If equality is attained then a film of dense phase is formed, a situation which is known as perfect, or complete wetting.

When the substance involved is anisotropic, such as a crystal, the contribution to the total free energy of each element of area of the interface between the dense and the dilute phases depends on its orientation. The minimum surface free energy for a given volume of matter determines then, the ideal form of the sessile drop at equilibrium (Fig. 1). This form is given by the Winterbottom construction [1].

The above description is valid only if there is no free energy per unit length, or line tension, associated to the line of contact of the surface of the drop with the wall, or if the size of the drop tends to infinity. If it is not the case, this analysis has to be revisited, see e.g. refs. [2], [3], [4], [5], [6].

To examine some theoretical aspects of this question in the frame of statistical mechanical models will be the object of the present study. More precisely, for a lattice gas model describing the coexistence of a dense and diluted phase on a wall, we analyse the free energy of the contact line between these phases and the wall.

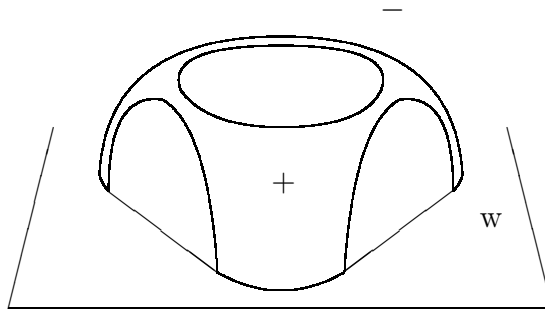


Figure 1: Sessile drop on a substrate

For the study of this coexistence, a lattice system has been already introduced by Fröhlich and Pfister in refs. [7], [8], [9], namely, the Ising model defined on the semi-infinite lattice

$$\mathbb{L} = \{i = (i_1, i_2, i_3) \in \mathbb{Z}^3 : i_3 \geq 1\}, \quad (2)$$

a variable σ_i , that may take the two values 1 and -1 , is associated to each site $i \in \mathbb{L}$. For notational reasons we consider the wall as the sublattice

$$W = \{i = (i_1, i_2, i_3) \in \mathbb{Z}^3 : i_3 = 0\}, \quad (3)$$

and assume that $\sigma_i = 1$ if $i \in W$. A magnetic field, K , is added on the boundary sites, $i_3 = 1$, which describes the interaction with the substrate. The strength of the nearest neighbor ferromagnetic interaction is denoted by J , the bulk magnetic field is zero, and $\beta = \frac{1}{kT}$ represents the inverse temperature. The positively magnetized phase is interpreted as the dense phase, the negatively magnetized phase as the medium. One defines, using the grand canonical ensemble, the surface free energies τ^{w+} and τ^{w-} in agreement with this interpretation, see below. Analogously, τ^{+-} is the surface tension of the usual Ising model for an interface orthogonal to the i_3 axis.

Let us mention the following results of the Fröhlich and Pfister study: For $|K| < J$, the surface tensions $\tau^{w+}(\beta)$ and $\tau^{w-}(\beta)$ are analytic functions at low temperatures, i.e., provided that $\beta(J - |K|) > c_0$, where c_0 is some specific constant (see [7], [10]). As a consequence we know that there is always partial wetting, i.e., that inequality (1) is satisfied, if the temperature is sufficiently low. Notice that the surface tension $\tau^{+-}(\beta)$ is also analytic at low temperatures, and that $\tau^{w-} - \tau^{w+} = 2K$ and $\tau^{+-} = 2J$ when the temperature is zero.

Let us also mention that, for models including the one under consideration, the microscopic validity of the Winterbottom construction, has been established, within a canonical ensemble when the size of the drop tends to infinity, in ref. [11].

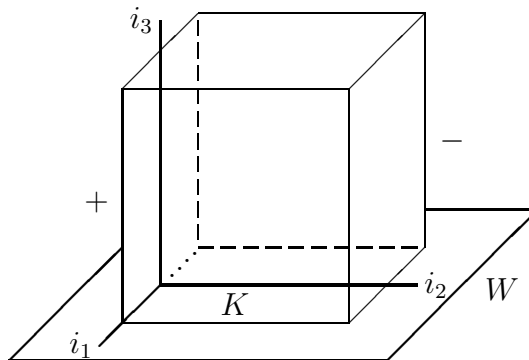


Figure 2: The box V and the wall W with the $(+-)$ boundary condition.

We next introduce, using the above framework, the definition of the line tension, see Fig. 2. Consider the box

$$V = \{i \in \mathbb{L} : -L_1 + 1 \leq i_1 \leq L_1, 1 \leq i_2 \leq L_2, 1 \leq i_3 \leq L_3\} \quad (4)$$

and the boundary condition $\bar{\sigma} = \{\sigma_i = \bar{\sigma}_i, i \in \mathbb{L}\}$. The associated partition function is

$$Z^{\bar{\sigma}}(V, \beta) = \sum_{\sigma_V} \exp(-\beta H_V(\sigma_V | \bar{\sigma})) \quad (5)$$

where the sum runs over all configurations, $\sigma_V = \{\sigma_i, i \in V\}$, inside V . The hamiltonian, according to the above description of the model, is

$$H_V(\sigma_V | \bar{\sigma}) = -J \sum_{\substack{\langle i, j \rangle \\ i, j \in V}} (\sigma_i \sigma_j - 1) - J \sum_{\substack{\langle i, j \rangle \\ i \in V, j \in \mathbb{L} \setminus V}} (\sigma_i \bar{\sigma}_j - 1) - K \sum_{i \in V, i_3=1} \sigma_i \quad (6)$$

where the first and second sum are over the nearest neighbor pairs $\langle i, j \rangle$. We shall, in particular, consider the $+$ and $-$ boundary conditions where $\bar{\sigma}_i = +1$ and $\bar{\sigma}_i = -1$, for all $i \in \mathbb{L}$. And also the mixed $+-$ boundary condition where $\bar{\sigma}_i = +1$ for $i_1 \geq 1$ and $\bar{\sigma}_i = -1$ for $i_1 \leq 0$.

We consider also the usual Ising model on the lattice \mathbb{Z}^3 , inside the box

$$V' = \{i \in \mathbb{Z}^3 : -L_1 + 1 \leq i_1 \leq L_1, 1 \leq i_2 \leq L_2, -L_3 + 1 \leq i_3 \leq L_3\}, \quad (7)$$

the hamiltonian $\tilde{H}_{V'}(\sigma_{V'} | \bar{\sigma})$ being given by an expression which contains only the first and second terms of formula (6), replacing \mathbb{L} by \mathbb{Z}^3 in the second sum. We shall denote by $\tilde{Z}^{\bar{\sigma}}(V', \beta)$ the associated partition functions, and consider also the $+$, $-$ and $+-$ boundary conditions, defined as before, for all $i \in \mathbb{Z}^3$.

With the above notations, the definition of the line tension is as follows

$$\lambda(\beta) = \lim_{L_2 \rightarrow \infty} \lim_{L_3 \rightarrow \infty} \lim_{L_1 \rightarrow \infty} -\frac{1}{\beta L_2} \ln \frac{Q(V, \beta)}{(\tilde{Q}(V', \beta))^{1/2}} \quad (8)$$

where

$$Q(V, \beta) = Z^{+-}(V, \beta) / (Z^+(V, \beta) Z^-(V, \beta))^{1/2} \quad (9)$$

$$\tilde{Q}(V', \beta) = \tilde{Z}^{+-}(V', \beta) / \tilde{Z}^+(V', \beta) \quad (10)$$

In order to explain this definition we first recall that $\ln \tilde{Q}(V', \beta)$ represents the free energy of the $+-$ interface, see [12]. The mixed boundary condition $+-$ forces the system to produce, inside the volume V' , a separation between the $(+)$ phase at

the left side and the $(-)$ phase at the right side. In expression (10) the volume contributions, proportional to the free energy of the $(+)$ and $(-)$ phases, as well as the boundary effects, cancel, and only the contributions to the free energy due to the interface are left. We recall also the definition of the surface tension between the $(-)$ phase and the substrate, see [7],

$$\tau^{\text{w-}}(\beta) = \lim_{L_1, L_2 \rightarrow \infty} \lim_{L_3 \rightarrow \infty} -\frac{1}{\beta L_1 L_2} \ln \frac{Z^-(V, \beta)}{\left(\tilde{Z}^-(V', \beta)\right)^{1/2}} \quad (11)$$

The boundary condition forces the volume V to be occupied by the $(-)$ phase, and thus the logarithm in equation (11) represents the contribution to the free energy due to the interface between the $(-)$ phase and the wall. The surface tension between the $(+)$ phase and the substrate is defined analogously.

Similar arguments show then that $\ln Q(V, \beta)$, defined by (9), corresponds to the contribution to the free energy due to the $+ -$ interface, inside the box V , together with the contribution due to the line of contact of this interface with the wall. It follows, therefore, that definition (8) represents, as stated, the free energy per unit length of this line.

There is no energy associated to the line, so the line tension given by equation (8), equals 0 at zero temperature. When the temperature is sufficiently low, the line tension can be rigorously studied, using cluster expansion techniques, and this is essentially the content of the present work. The main results are summarized in Theorem 1 below. Let us mention that the cluster expansion associated to a rigid $+ -$ interface is needed in this study and that, for this reason, we can only consider the line tension when the line is parallel to a lattice axis. It is expected, however, that the line tension exists for any orientation of the line and has a similar behavior.

Notice also that we know, see [13], that the equilibrium shape of the drop given by the Winterbottom construction, in the case of the Ising model at low temperatures, has facets parallel to the coordinate planes, as shown in Fig. 1, and so the portions of the line parallel to an axis have a positive length. It is not known, however, whether such facets are microscopically flat.

Theorem 1 *For $J > |K|$ and if the temperature is low enough, i.e., if $\beta(J - |K|) \geq c_0$, where c_0 is a given constant, then the line tension, $\lambda(\beta)$, exists and is strictly negative as soon as the temperature is different from zero. Moreover, $\lambda(\beta)$ is an analytic function for which an explicit convergent series expansion can be found, whose leading term is*

$$-\frac{2}{\beta} e^{-6\beta J} \cosh(2\beta K) \quad (12)$$

The proof is given in section 2.

Remark 1 The series is given by expressions (73), (74), (75) and (76), below. As it will be seen in the proof of the theorem, an easy bound is $c_0 = 2\kappa_{cl} + \ln(5\nu) + \ln(e-1)$, where $\kappa_{cl} = a_0 + \ln((1+a_0)/a_0) \sim 1.58$ is the cluster constant, $a_0 = (\sqrt{5}-1)/2$, and $\nu = (12)^2$.

Remark 2 The meaning of the leading term (12) may be understood as follows. Using σ^\pm to denote the configuration yielding the $(+-)$ boundary condition on Fig. 2, this term is a contribution of lowest energy excitations to σ^\pm obtained by flipping just one spin adjacent to the wall W as well as to the interface. Depending on from which side the flipped spin is attached to the interface in σ^\pm , its contribution is expressed in terms of the energy increment with respect to the energy of σ^\pm yielding either $e^{-6\beta J - 2\beta K}$ or $e^{-6\beta J + 2\beta K}$.

Remark 3 The leading term (12) is negative and, obviously, also the line tension for low enough temperatures. The consequences of this fact on the wetting properties have been already discussed in some of the references quoted above, see in particular [2] and [3].

Remark 4 The method of the proof of the theorem, can be used to show, by adding some natural ingredients, that the interface associated to the $+-$ boundary condition, and hence the contact line, is rigid at low temperature.

2 Proof of theorem

2.1 Contours

We begin with a contour representation of the partition functions $Z^+(V, \beta)$ and $Z^-(V, \beta)$. A natural definition is to consider contours as boundaries of regions where the considered configuration differs from the corresponding ground state configuration: the $+$ configuration with the $+$ boundary condition and the $-$ configuration with the $-$ boundary condition.

For $Z^+(V, \beta)$ we have a standard representation introducing for any configuration σ (such that $\sigma_i = +1$ for $i \in \mathbb{L} \setminus V$) the contours as connected components of the set $B^+(\sigma)$ of all plaquettes (closed unit squares) of the dual lattice that separate two neighbouring sites $i, j \in \mathbb{L} \cup W$ with $\sigma_i \neq \sigma_j$.

For any contour γ we introduce the weight factor

$$z^+(\gamma) = e^{-2\beta J|\gamma^{\text{bk}}| - 2\beta K|\gamma^W|} \quad (13)$$

Here γ^W is the set of plaquettes of γ that separate a site of the wall from a site of the first layer $\mathbb{L}_1 = \{(x, y, z) : z = 1\}$, $\gamma^{\text{bk}} = \gamma \setminus \gamma^W$, $|\gamma^{\text{bk}}|$ and $|\gamma^W|$ denote

respectively the number of plaquettes of γ^{bk} and γ^W . In terms of the weight factor $z^+(\gamma)$, one has

$$Z^+(V, \beta) = e^{\beta K |W(V)|} \sum_{\{\gamma_1, \dots, \gamma_n\}_{\text{comp}} \subset V} \prod_{i=1}^n z^+(\gamma_i) \quad (14)$$

where $W(V)$ is the set of sites of the wall that have a nearest neighbor in V and $\{\gamma_1, \dots, \gamma_n\}_{\text{comp}}$ is a collection of compatible (mutually disjoint) contours in V : this means more precisely, that the considered contours consists of set of plaquettes dual to n.n. pairs containing a site in V .

To get a similar expression for $Z^-(V, \beta)$, we only have to be carefull with the definition of *contours touching the substrate*: those are the contours that contain a plaquette dual of a n.n. pair with one site on the substrate W and this means that they do not intersect the plane $i_3 = 1/2$. Namely, for configurations σ such that $\sigma_i = +1$ for $i \in W$ and $\sigma_i = -1$ for $i \in \mathbb{L} \setminus V$, we introduce contours as connected components of the set $B^-(\sigma)$ of all plaquettes separating nearest neighbor sites $i, j \in V$ such that $\sigma_i \neq \sigma_j$ or nearest neighbor sites $i \in V, j \in W$ for which $\sigma_i = \sigma_j (= +1)$. Introducing now the weight $z^-(\gamma)$ as

$$z^-(\gamma) = e^{-2\beta J |\gamma^{\text{bk}}| + 2\beta K |\gamma^W|} \quad (15)$$

we get

$$Z^-(V, \beta) = e^{-\beta K |W(V)|} \sum_{\{\gamma_1, \dots, \gamma_n\}_{\text{comp}} \subset V} \prod_{i=1}^n z^-(\gamma_i) \quad (16)$$

Notice that the set of contours in both situations exactly coincide (even though the weights do not) and the sums in (14) and (16) are over exactly the same collections of contours. Notice also that the weights (13) and (15) differ only if the contour γ touches the substrate.

For the partition function $\tilde{Z}^+(V', \beta)$ of the Ising model we have the standard representation

$$\tilde{Z}^+(V', \beta) = \sum_{\{\gamma_1, \dots, \gamma_n\}_{\text{comp}} \subset V'} \prod_{i=1}^n z(\gamma_i) \quad (17)$$

where

$$z(\gamma) = e^{-2\beta J |\gamma|} \quad (18)$$

and the sum is over compatible families of contours in the box V' : the contours here are connected components of the set $B^+(\sigma)$ of all plaquettes of the dual lattice that separate two neighbouring sites $i, j \in \mathbb{Z}^3$ with $\sigma_i \neq \sigma_j$, for configurations σ such that $\sigma_i = +1$ for $i \in \mathbb{Z}^3 \setminus V'$.

To be able to control, in terms of convergent cluster expansions, the logarithm of the above partition functions, we need good decaying behavior of the activities of contours with respect to their area. It is easy to realize from geometrical observations ($|\gamma^{\text{bk}}| > |\gamma^{\text{W}}|$) that

$$z^\pm(\gamma) \leq e^{-\beta(J-|K||\gamma|)} \quad (19)$$

while for contours not touching the substrate one has obviously

$$z^\pm(\gamma) = z(\gamma) = e^{-2\beta J|\gamma|} \quad (20)$$

2.2 Multi-indexes and clusters

We now introduce *multi-indexes* in order to write the logarithm of the partition functions $Z^+(V, \beta)$ and $Z^-(V, \beta)$ as a sum over these multi-indexes [14]. A multi-index X is a function from the set of contours (in V) into the set of nonnegative integers. We let $\text{supp } X = \cup_{\gamma: X(\gamma) \geq 1} \gamma$ denote the support of the multi-index X and $|X| = \sum_{\gamma: X(\gamma) \geq 1} X(\gamma)|\gamma|$ denotes its area. For the activities z^+ and z^- , we define the truncated functions

$$\Phi^\pm(X) = \frac{a(X)}{\prod_{\gamma} X(\gamma)!} \prod_{\gamma} z^\pm(\gamma)^{X(\gamma)} \quad (21)$$

where the factor $a(X)$ is a combinatorial factor defined in terms of the connectivity properties of the graph $G(X)$ with vertices corresponding to $\gamma \in \text{supp } X$ (there are $X(\gamma)$ vertices for each $\gamma \in \text{supp } X$) all being connected by an edge whenever the corresponding contours are incompatible. Namely, $a(X) = 0$ and hence $\Phi^\pm(X) = 0$ unless $G(X)$ is a connected graph or equivalently $\text{supp } X$ is a connected set, and

$$a(X) = \sum_{G \subset G(X)} (-1)^{|e(G)|} \quad (22)$$

Here the sum goes over connected subgraphs G whose vertices coincide with the vertices of $G(X)$ and $|e(G)|$ is the number of edges of the graph G . The connected multi-indexes will be called *clusters*. Whenever X contains only one contour γ (i.e. $X(\gamma) = 1$ and $X(\gamma') = 0$ for all others contours), then $a(X) = 1$, implying $\Phi^\pm(X) = z^\pm(\gamma)$ in such a case.

We will say that a multi-index or a cluster X touches the substrate if there exists a contour in the support of X touching the substrate. Notice that for multi-indexes or clusters X supported by contours not touching the substrate (we will say that X do not touch the substrate), one has $\Phi^+(X) = \Phi^-(X)$.

A consequence of the previous definitions is that the sums entering in the expressions of the partition functions $Z^+(V, \beta)$ and $Z^-(V, \beta)$ can be exponentiated as follows

$$\sum_{\{\gamma_1, \dots, \gamma_n\}_{\text{comp}} \subset V} \prod_{i=1}^n z^\pm(\gamma_i) = \exp\left\{ \sum_{X \subset V} \Phi^\pm(X) \right\} \quad (23)$$

where the sum runs over non-empty clusters (supported by contours) in the box V .

In addition, one has the following convergence properties (using the constants κ_{cl} and a_0 defined in Remark 1).

Lemma 1 *Assume that $\beta(J - |K|) \geq \log \nu + \kappa_{\text{cl}}$, then*

$$\sum_{X: X(\gamma) \geq 1} |\Phi^\pm(X)| \leq e^{-[\beta(J \pm K) - a_0]|\gamma|} \quad (24)$$

and the series $\sum_{X: \text{supp } X \ni i} |\Phi^\pm(X)|$ is absolutely convergent.

Proof We first notice that the number of contours γ of area $|\gamma| = n$ containing a given vertex is less than ν^n .

Under the condition

$$z^\pm(\gamma) \leq (e^{\mu^\pm(\gamma)} - 1) \exp\left[-\sum_{\gamma' \approx \gamma} \mu^\pm(\gamma')\right] \quad (25)$$

where μ is a positive function and the sum is over contours γ' incompatible with the contour γ (the relation denoted $\gamma' \approx \gamma$ means that γ' intersects γ), we know from Ref. [15], that the truncated functions $\Phi^\pm(X)$ satisfy the estimate

$$\sum_{X: X(\gamma) \geq 1} |\Phi_K^\pm(X)| \leq \mu^\pm(\gamma) \quad (26)$$

We choose $\mu^\pm(\gamma) = e^{-[\beta(J \pm K) - a]|\gamma|}$. By taking into account the above remark on the entropy of contours and that the minimal area of contours is 6, we then get

$$\sum_{\gamma' \approx \gamma} \mu^\pm(\gamma) \leq 2|\gamma| \sum_{n=6}^{\infty} \nu^n e^{-[\beta(J \pm K) - a]n} \leq \frac{1}{e^{[\beta(J \pm K) - a - \log \nu]|\gamma|} - 1} |\gamma| \quad (27)$$

provided $2\nu^5 e^{-5[\beta(J \pm K) - a]} \leq 1$. The factor 2 stems from the fact that a contour of area $|\gamma|$ contains at most $2|\gamma|$ vertices (corners of the plaquettes). Since $\mu^\pm(\gamma) \leq$

$e^{\mu^\pm(\gamma)} - 1$, the bound (19) on the activities of contours gives that the convergence condition (25) will be satisfied whenever

$$\beta(J \pm K) \geq \log \nu + a + \log \frac{1+a}{a} \quad (28)$$

The choice $a = a_0$, that minimizes the function $a + \log \frac{1+a}{a}$, and for which $2\nu^5 e^{-5[\beta(J-|K|)-a]} \leq 1$ provides the condition given in the lemma. \square

Note that Lemma 1 gives the bound:

$$|\Phi^\pm(X)| \leq e^{-[\beta(J \pm K) - a_1]|X|} \quad (29)$$

with $a_1 = \kappa_{\text{cl}} + \log \nu$.

To exponentiate the partition function $\tilde{Z}(V', \beta)$, we introduce the truncated function associated with the activity z :

$$\Phi(X) = \frac{a(X)}{\prod_\gamma X(\gamma)!} \prod_\gamma z(\gamma)^{X(\gamma)}$$

where the multi-indexes are defined here as functions from the set of contours in V' into the set of non negative integers. One has

$$\tilde{Z}(V', \beta) = \exp\left\{ \sum_{X \subset V'} \Phi(X) \right\} \quad (30)$$

and

$$|\Phi(X)| \leq e^{-(2\beta J - a_1)|X|} \quad (31)$$

2.3 Interfaces

We now turn to the partition function $Z^{+-}(V, \beta)$ that we will expand in terms of interfaces. Let W^+ be the set of the sites $i = (i_1, i_2, 0)$ of the wall with $i_1 \geq 1$ and let $W^- = W \setminus W^+$ denote its complement. For a configuration σ that coincides with the $+-$ boundary condition outside the box V , consider the set $B^{+-}(\sigma)$ of all plaquettes separating, neighboring sites $i, j \in \mathbb{L}$ with $\sigma_i \neq \sigma_j$, neighboring sites $i \in V, j \in W^+$ with $\sigma_i \neq \sigma_j$, and neighboring sites $i \in V, j \in W^-$ with $\sigma_i = \sigma_j (= +1)$. We decompose this set into maximal connected components. There is exactly one component which is infinite. We call this component I the interface. The possible interfaces are the sets $I \in \mathcal{I}$ for which there exists a configuration σ such that $I = B^{+-}(\sigma)$.

Notice that this set is the same as the set of interfaces of the Ising model in a box V included in the lattice \mathbb{Z}^3 , with the $+-$ boundary conditions, considered by

Dobrushin [16]. We will consider this set at the end of the subsection for the box V' .

We let I^{bk} denotes the set of plaquettes of I dual to pairs $i \in \mathbb{L}, j \in V$ or $j \in \mathbb{L}$, I^{W^+} denotes the set of plaquettes of I dual to pairs $i \in V, j \in W^+$ and I^{W^-} denotes the set of plaquettes dual to pairs $i \in V, j \in W^-$.

The interface I divides the set V into two subsets $V_+ = V_+(I)$ and $V_- = V_-(I)$: V_+ (respectively V_-) is the part of V of the $+$ sites ($\sigma_i = +1$) (respectively of the $-$ sites ($\sigma_i = -1$)) of the configuration σ such that $I = B^{+-}(\sigma)$.

With these definitions, we get the following expansion:

$$\begin{aligned} Z^{+-}(V, \beta) = & \sum_I e^{-2\beta J|I^{\text{bk}}|} e^{-2\beta K|I^{W^+}|} e^{+\beta K|W^+ \cap W(V)|} \sum_{\substack{\{\gamma_1, \dots, \gamma_n\}_{\text{comp}} \subset V_+ \\ \{\gamma_1, \dots, \gamma_n\}_{\text{comp}} \sim I}} \prod_{i=1}^n z^+(\gamma_i) \\ & \times e^{2\beta K|I^{W^-}|} e^{-\beta K|W^- \cap W(V)|} \sum_{\substack{\{\gamma_1, \dots, \gamma_n\}_{\text{comp}} \subset V_- \\ \{\gamma_1, \dots, \gamma_n\}_{\text{comp}} \sim I}} \prod_{i=1}^n z^-(\gamma_i) \end{aligned}$$

where the two last sums are over collections of contours compatible with the interface: the compatibility relation is denoted \sim and means that no contour of the considered collections intersects the interface.

By taking into account (23), we obtain:

$$\begin{aligned} Z^{+-}(V, \beta) = & \sum_I \exp\{-2\beta J|I^{\text{bk}}| - 2\beta K|I^{W^+}| + 2\beta K|I^{W^-}|\} \\ & \times \exp\left\{ \sum_{\substack{X \subset V_+ \\ X \sim I}} \Phi^+(X) + \sum_{\substack{X \subset V_- \\ X \sim I}} \Phi^-(X) \right\} \end{aligned}$$

where the two last sums are over clusters compatible with the interface. We then have, for the ratio (9), using (14), (16), and (23):

$$\begin{aligned} Q(V, \beta) = & \sum_I \exp\{-2\beta J|I^{\text{bk}}| - 2\beta K|I^{W^+}| + 2\beta K|I^{W^-}|\} \quad (32) \\ & \times \exp\left\{ \sum_{\substack{X \subset V_+ \\ X \sim I}} \Phi^+(X) + \sum_{\substack{X \subset V_- \\ X \sim I}} \Phi^-(X) - \frac{1}{2} \sum_{X \subset V} \Phi^+(X) - \frac{1}{2} \sum_{X \subset V} \Phi^-(X) \right\} \end{aligned}$$

We put

$$A(I, V) = \sum_{\substack{X \subset V_+ \\ X \sim I}} \Phi^+(X) + \sum_{\substack{X \subset V_- \\ X \sim I}} \Phi^-(X) - \frac{1}{2} \sum_{X \subset V} \Phi^+(X) - \frac{1}{2} \sum_{X \subset V} \Phi^-(X) \quad (33)$$

and we will decompose the first sum into sum over clusters not touching the substrate, we write $X \sim W^+$, and sum over clusters touching the substrate, we write $X \approx W^+$. We make analogous decompositions for the three other sums. Taking into account that for clusters X not touching the substrate, one has $\Phi^+(X) = \Phi^-(X) = \Phi(X)$, we get:

$$\begin{aligned}
A(I, V) &= \sum_{\substack{X \subset V_+ \\ X \sim I \\ X \sim W^+}} \Phi(X) + \sum_{\substack{X \subset V_+ \\ X \sim I \\ X \approx W^+}} \Phi_K^+(X) + \sum_{\substack{X \subset V_- \\ X \sim I \\ X \sim W^-}} \Phi(X) + \sum_{\substack{X \subset V_- \\ X \sim I \\ X \approx W^-}} \Phi^-(X) \\
&\quad - \sum_{\substack{X \subset V \\ X \sim W}} \Phi(X) - \frac{1}{2} \sum_{\substack{X \subset V \\ X \approx W}} \Phi^+(X) - \frac{1}{2} \sum_{\substack{X \subset V \\ X \approx W}} \Phi^-(X) \\
&= - \sum_{\substack{X \subset V \\ X \approx I \\ X \sim W}} \Phi(X) + \sum_{\substack{X \subset V_+ \\ X \sim I \\ X \approx W^+}} \Phi^+(X) + \sum_{\substack{X \subset V_- \\ X \sim I \\ X \approx W^-}} \Phi^-(X) \\
&\quad - \frac{1}{2} \sum_{\substack{X \subset V \\ X \approx W}} \Phi^+(X) - \frac{1}{2} \sum_{\substack{X \subset V \\ X \approx W}} \Phi^-(X) \tag{34}
\end{aligned}$$

where the first sum in the last term is over clusters inside V incompatible with the interface. We then decompose the last two terms as follows:

$$\begin{aligned}
\sum_{\substack{X \subset V \\ X \approx W}} \Phi^+(X) &= \sum_{\substack{X \subset V \\ X \approx W^+ \\ X \approx W^-}} \Phi^+(X) + \sum_{\substack{X \subset V \\ X \approx W^+ \\ X \sim W^-}} \Phi^+(X) + \sum_{\substack{X \subset V \\ X \approx W^- \\ X \sim W^+}} \Phi^+(X) \\
&= - \sum_{\substack{X \subset V \\ X \approx W^+ \\ X \approx W^-}} \Phi^+(X) + 2 \sum_{\substack{X \subset V \\ X \approx W^+ \\ X \approx W^-}} \Phi^+(X) + 2 \sum_{\substack{X \subset V \\ X \approx W^+ \\ X \sim W^-}} \Phi^+(X) \\
&= - \sum_{\substack{X \subset V \\ X \approx W^+ \\ X \approx W^-}} \Phi^+(X) + 2 \sum_{\substack{X \subset V \\ X \approx W^+}} \Phi^+(X) \\
\sum_{\substack{X \subset V \\ X \approx W}} \Phi^-(X) &= - \sum_{\substack{X \subset V \\ X \approx W^+ \\ X \approx W^-}} \Phi^-(X) + 2 \sum_{\substack{X \subset V \\ X \approx W^-}} \Phi^-(X)
\end{aligned}$$

(using that $\sum_{\substack{X \subset V \\ X \approx W^- \\ X \sim W^+}} \Phi^\pm(X) = \sum_{\substack{X \subset V \\ X \sim W^- \\ X \approx W^+}} \Phi^\pm(X)$). Inserting the two previous

equalities in (34) and using that

$$\sum_{\substack{X \subset V_{\pm} \\ X \sim I \\ X \approx W^{\pm}}} \Phi^{\pm}(X) - \sum_{\substack{X \subset V \\ X \approx W^{\pm}}} \Phi^{\pm}(X) = - \sum_{\substack{X \subset V \\ X \approx I \\ X \approx W^{\pm}}} \Phi^{\pm}(X)$$

we get

$$A(I, V) = \ell(V) + B(I, V)$$

where

$$\ell(V) = \frac{1}{2} \sum_{\substack{X \subset V \\ X \approx W^+ \\ X \approx W^-}} [\Phi^+(X) + \Phi^-(X)] \quad (35)$$

and

$$B(I, V) = - \sum_{\substack{X \subset V \\ X \approx I \\ X \sim W}} \Phi(X) - \sum_{\substack{X \subset V \\ X \approx I \\ X \approx W^+}} \Phi^+(X) + \sum_{\substack{X \subset V \\ X \approx I \\ X \approx W^-}} \Phi^-(X) \quad (36)$$

In order to analyse the interface, we consider the system in the infinite cylinder

$$\bar{V} = \lim_{L_1 \rightarrow \infty} V = \{i = (i_1, i_2, i_3) \in \mathbb{L} : i_1 \in \mathbb{Z}, 0 \leq i_2 \leq L_2, 1 \leq i_3 \leq L_3\}$$

The absolute convergence of the series of truncated functions implies the existence of the limit, $\lim_{L_1 \rightarrow \infty} Q(V, \beta)$. We denote this limit by $Q(\bar{V}, \beta)$. One has

$$Q(\bar{V}, \beta) = e^{\ell(\bar{V})} \sum_I \exp\{-2\beta J |I^{\text{bk}}| - 2\beta K |I^{W^+}| + 2\beta K |I^{W^-}| + B(I, \bar{V})\} \quad (37)$$

where the sum is now over interfaces in \bar{V} , $\ell(\bar{V})$ and $B(I, \bar{V})$ are respectively defined by (35) and (36) with V replaced by \bar{V} .

We next consider the partition function $\tilde{Z}^{+-}(V', \beta)$, and for a configuration σ that coincides with the $+-$ boundary condition outside the box V' , we consider the set $B^{+-}(\sigma)$ of all plaquettes separating, neighboring sites $i, j \in \mathbb{Z}^3$ with $\sigma_i \neq \sigma_j$. Again, there is exactly one component which is infinite. We denote this component \tilde{I} . We then get the following expansion (see [16] or [13])

$$\tilde{Z}^{+-}(V', \beta) = \sum_{\tilde{I}} \exp\{-2\beta J |\tilde{I}| + \sum_{X \subset V'} \Phi(X)\} \quad (38)$$

over interfaces, which leads to

$$\tilde{Q}(V', \beta) = \sum_{\tilde{I}} \exp\{-2\beta J |\tilde{I}| - \sum_{X \approx \tilde{I}, X \subset V'} \Phi(X)\} \quad (39)$$

where the sum in the exponent is over clusters in V' incompatible with the interface \tilde{I} . We introduce the infinite box

$$\bar{V}' = \lim_{L_1 \rightarrow \infty} V' = \{i = (i_1, i_2, i_3) \in \mathbb{Z}^3 : i_1 \in \mathbb{Z}, 0 \leq i_2 \leq L_2, 1 \leq i_3 \leq L_3\}$$

Then, denoting by $\tilde{Q}(\bar{V}', \beta)$ the limit $\lim_{L_1 \rightarrow \infty} \tilde{Q}(V', \beta)$, one has:

$$\tilde{Q}(\bar{V}', \beta) = \sum_{\tilde{I}} \exp\{-2\beta J|\tilde{I}| - \sum_{X \sim \tilde{I}, X \subset \bar{V}'} \Phi(X)\} \quad (40)$$

2.4 Walls

In this subsection, following Ref. [16], we will describe the interfaces I and \tilde{I} appearing in equations (37) and (40) in terms of excitations called walls. We begin with the interfaces I .

Let P be the horizontal plane $i_1 = 1/2$ and $\pi(\cdot)$ the orthogonal projection on this plane. The projection $\pi(p)$ of a plaquette is either a plaquette or an edge. There are two types of plaquettes in an interface I : the *ceiling plaquettes*, which are the plaquettes p parallel to the plane P and such that there is no other plaquette p' such that $\pi(p) = \pi(p')$, and the *wall plaquettes*, which are all the other plaquettes in I . The set of wall plaquettes is denoted $\mathcal{W}(I)$.

A (connected) set w of wall plaquettes is called a *standard wall* (or *wall in standard position*) if there exists an interface I such that $w = \mathcal{W}(I)$. A family of standard walls is *admissible* if the projections on the plane P of these walls are pairwise disjoint. It will be seen that the interfaces can equivalently be described by the admissible families of standard walls.

We observe that any interface I decomposes into *walls*, which are the subsets of $\mathcal{W}(I)$ that are projected into the maximally connected components of the projection $\pi(\mathcal{W}(I))$, and *ceilings*, or connected sets of ceiling plaquettes. Given a wall w , consider the set C of plaquettes on the plane P which do not belong to $\pi(p)$, and decompose this set into connected components. To each component there corresponds one ceiling adjacent to w which projects into this component. The ceiling which projects into the (unique) infinite component of C is called the *base* of w . Since the base of a standard wall lies on P , one can associate with any wall w the standard wall which is just the translate of w (with respect to the i_1 -axis) with base on P . In this way, one associates with every interface a family of standard walls having disjoint projections on P (i.e. those we have called admissible). The converse is also true: for any admissible family $\{w_1, \dots, w_n\}$ of standard walls, one can reconstruct in a unique way the interface. This interface will be denoted $I(w_1, \dots, w_n)$.

Notice that a wall w splits into three pieces, $w = \{w^{\text{bk}}, w^{W^+}, w^{W^-}\}$: w^{bk} is the set of plaquettes of w dual to n.n. pairs $i, j \in \mathbb{L}$, w^{W^+} is the set of plaquettes of w dual to n.n. pairs $i \in \mathbb{L}, j \in W^+$, w^{W^-} being the set of plaquettes of w dual to n.n. pairs $i \in \mathbb{L}, j \in W^-$. We let:

$$\rho(w) = \exp\{-2\beta J|w^{\text{bk}}| + 2\beta J|\pi(w^{\text{bk}})| - 2\beta K|w^{W^+}| + 2\beta K|w^{W^-}|\} \quad (41)$$

be the activity of w . Here $|w^{\text{bk}}|$, $|\pi(w^{\text{bk}})|$, and $|w^{W^\pm}|$ denote the number of plaquettes of the considered sets. Note that the activities of walls depend on K only for walls touching the substrate ($w_{W^\pm} \neq \emptyset$). We observe that:

$$I^{\text{bk}}(w_1, \dots, w_n) = L_2 L_3 + \sum_{i=1}^n (|w_i^{\text{bk}}| - |\pi(w_i^{\text{bk}})|)$$

and that $I^{W^\pm}(w_1, \dots, w_n) = \sum_{i=1}^n |w_i^{W^\pm}|$. Then, expression (37) becomes:

$$Q(\bar{V}, \beta) = e^{\ell(\bar{V}) - 2\beta J L_1 L_3} \sum_{\{w_1, \dots, w_n\}_{\text{adm}} \subset \bar{V}} \prod_{i=1}^n \rho(w_i) \exp\{B(I(w_1, \dots, w_n), \bar{V})\} \quad (42)$$

where the sum runs over all admissible families of standard wall in \bar{V} . In this expression the interface has been rewritten in terms of a gas of walls and thus can be viewed as a model over a two-dimensional lattice. The second factor in (42) gives an effective interaction between walls. A theory of cluster expansions may be developed for this system either directly, as in Refs. [17], [18], [19], or, equivalently, by transforming it into a polymer system, as in Ref. [20]. This last method is explained in the two following subsections.

Again to be able to control this system in terms of convergent cluster expansion, we need good decaying properties of the activities of walls with respect to the area $|w| = |w^{\text{bk}}| + |w^{W^+}| + |w^{W^-}|$ of the walls. It follows from easy geometrical observations ($|w| \geq 2(\pi(w^{\text{bk}}) + |w^{W^+}| + |w^{W^-}|)$) that:

$$\rho(w) \leq e^{-\beta(J-|K|)|w|} \quad (43)$$

For $\tilde{Q}(\bar{V}', \beta)$, we define the walls of the interfaces \tilde{I} in the same way, getting:

$$\tilde{Q}(\bar{V}', \beta) = e^{-4\beta J L_1 L_3} \sum_{\{w_1, \dots, w_n\}_{\text{adm}} \subset \bar{V}'} \prod_{i=1}^n \tilde{\rho}(w_i) \exp\{-\sum_{X \approx \tilde{I}, X \subset \bar{V}'} \Phi(X)\} \quad (44)$$

where the activities of walls are defined by:

$$\tilde{\rho}(w) = \exp\{-2\beta J(|w| - |\pi(w)|)\} \quad (45)$$

2.5 Decorated interfaces

We are going to rewrite the sum of the R.H.S. of (42) and (44) as a sum of certain elements, which we call *decorated interfaces*. For $Q(\bar{V}, \beta)$ the decorated interfaces are defined as the quadruplets $I_{\text{de}} = (I, \mathcal{D}, \mathcal{D}^+, \mathcal{D}^-)$, where I is an interface and $\mathcal{D}, \mathcal{D}^+, \mathcal{D}^-$ are finite set of clusters incompatible with the interface.

Given an interface I , or what is the same, an admissible family of standard walls $\{w_1, \dots, w_n\}$ such that $I = I(w_1, \dots, w_n)$, we consider the term $B(I(w_1, \dots, w_n), \bar{V})$ and define the weight factors:

$$\begin{aligned}\hat{\psi}(X) &= e^{-\Phi(X)} - 1 \\ \hat{\psi}_K^\pm(X) &= e^{-\Phi_K^\pm(X)} - 1\end{aligned}$$

We next define *decorations* D as connected sets of clusters in V . A decoration D is obviously a cluster and there are three types of decorations for which either all the clusters of the decoration are compatible with the substrate or all these clusters are incompatible with W^+ , or they are incompatible with W^- . We define their weights by:

$$\psi(D) = \prod_{X \in D} \hat{\psi}(X) \quad (46)$$

$$\psi_K^\pm(D) = \prod_{X \in D} \hat{\psi}_K^\pm(X) \quad (47)$$

Let $\text{supp } D = \cup_{X \in D} X$ denotes the support of the family D , and let $|D| = \sum_{X \in D} |X|$ denotes its area. Then,

$$\begin{aligned}e^{B_K(I(w_1, \dots, w_n), \bar{V})} &= \prod_{\substack{X \approx I \\ X \sim W}} [1 + \hat{\psi}(X)] \prod_{\substack{X \approx I \\ X \sim W^+}} [1 + \hat{\psi}_K^+(X)] \prod_{\substack{X \approx I \\ X \sim W^-}} [1 + \hat{\psi}_K^-(X)] \\ &= \sum_{\substack{\{D_1, \dots, D_n\}_{\text{comp}} \\ D_i \approx I, D_i \sim W}} \prod_{i=1}^n \psi(D_i) \sum_{\substack{\{D_1, \dots, D_m\}_{\text{comp}} \\ D_i \approx I, D_i \sim W^+}} \prod_{i=1}^m \psi_K^+(D_i) \\ &\quad \times \sum_{\substack{\{D_1, \dots, D_k\}_{\text{comp}} \\ D_i \approx I, D_i \sim W^-}} \prod_{i=1}^k \psi_K^-(D_i)\end{aligned}$$

Starting from (42), these definitions lead to the expression of $Q(\bar{V}, \beta)$ as a sum

over the above-mentioned quadruplets, namely:

$$\begin{aligned}
Q(\bar{V}, \beta) &= e^{\ell(\bar{V}) - 2\beta J L_2 L_3} \sum_{\{w_1, \dots, w_n\}_{\text{comp}} \subset \bar{V}} \prod_{i=1}^n \rho(w_i) \sum_{\substack{\mathcal{D} = \{D_1, \dots, D_n\}_{\text{comp}} \subset \bar{V} \\ D_i \asymp I, D_i \sim W}} \prod_{i=1}^n \psi(D_i) \\
&\times \sum_{\substack{\mathcal{D} = \{D_1, \dots, D_m\}_{\text{comp}} \subset \bar{V} \\ D_i \asymp I, D_i \asymp W^+}} \prod_{i=1}^m \psi_K^+(D_i) \sum_{\substack{\mathcal{D} = \{D_1, \dots, D_k\}_{\text{comp}} \subset \bar{V} \\ D_i \asymp I, D_i \asymp W^-}} \prod_{i=1}^k \psi_K^-(D_i)
\end{aligned} \tag{48}$$

Note that under the hypothesis of Lemma 1, the weights of decorations may be bounded as follows:

$$|\psi(D)| \leq (e-1)^{\|D\|} \prod_{X \in D} |\Phi(X)| \leq (e-1)^{\|D\|} e^{-[2\beta J - a_1]\|D\|} \tag{49}$$

$$|\psi^\pm(D)| \leq (e-1)^{\|D\|} \prod_{X \in D} |\Phi^\pm(X)| \leq (e-1)^{\|D\|} e^{-[\beta(J \pm K) - a_1]\|D\|} \tag{50}$$

where $\|D\|$ is the number of clusters of the decoration D . This follows from the fact that $|e^x - 1| \leq (e-1)|x|$ for $|x| \leq 1$.

For $\tilde{Q}(\bar{V}', \beta)$, the decorated interfaces are couples, $\tilde{I}_{\text{de}} = (\tilde{I}, \mathcal{D})$, where \tilde{I} is an interface and \mathcal{D} is a finite set of clusters in \bar{V}' incompatible with the interface \tilde{I} . The same analysis leads to

$$\begin{aligned}
\tilde{Q}(\bar{V}', \beta) &= e^{-4\beta J L_2 L_3} \sum_{\{w_1, \dots, w_n\}_{\text{comp}} \subset \bar{V}'} \prod_{i=1}^n \tilde{\rho}(w_i) \sum_{\substack{\mathcal{D} = \{D_1, \dots, D_n\}_{\text{comp}} \subset \bar{V}' \\ D_i \asymp \tilde{I}}} \prod_{i=1}^n \psi(D_i)
\end{aligned} \tag{51}$$

2.6 Aggregates

Let $I_{\text{de}} = (I, \mathcal{D}, \mathcal{D}^+, \mathcal{D}^-)$ be a decorated interface. A quadruplet $\alpha = (\mathfrak{W}, \mathfrak{D}, \mathfrak{D}^+, \mathfrak{D}^-)$ where \mathfrak{W} is a subset of the set of walls $\mathcal{W}(I)$ of the interface, \mathfrak{D} is a subset of \mathcal{D} and \mathfrak{D}^\pm are subsets of \mathcal{D}^\pm , is called an *aggregate*, if its projection $\pi(a) := \pi(\mathfrak{W}) \cup \pi(\mathfrak{D}) \cup \pi(\mathfrak{D}^+) \cup \pi(\mathfrak{D}^-)$ on the plane P is a connected set (in \mathbb{R}^2). If there exists a decorated interface I_{de} such that α is the unique aggregate of I_{de} , α is called a *standard aggregate* (or *aggregate in standard position*). We observe that the following geometrical property holds: for any aggregate α , there is a standard aggregate which is just a translate of α (with respect to the i_1 -axis). A set of standard aggregates with pairwise disjoint projections is called an *admissible family*.

Given a decorated interface $I_{\text{de}} = (I, \mathcal{D}, \mathcal{D}^+, \mathcal{D}^-)$, one says that α is an aggregate of I_{de} if the projection $\pi(\alpha)$ is a connected component of $\pi(\mathcal{W}(I)) \cup \pi(\mathcal{D}) \cup \pi(\mathcal{D}^+) \cup \pi(\mathcal{D}^-)$. The mapping that associates with a decorated interface its aggregates in standard position is a bijection onto the admissible family of standard aggregates.

We define the activity of an aggregate $\alpha = (\mathfrak{W}, \mathfrak{D}, \mathfrak{D}^+, \mathfrak{D}^-)$ by:

$$\omega(\alpha) = \prod_{w \in \mathfrak{W}} \rho(w) \prod_{D \in \mathfrak{D}} \psi(D) \prod_{D^+ \in \mathfrak{D}^+} \psi^+(D^+) \prod_{D^- \in \mathfrak{D}^-} \psi^-(D^-) \quad (52)$$

We can then express $Q(\bar{V}, \beta)$ as the following sum (up to a prefactor) over all admissible families of standard aggregates in \bar{V} :

$$Q(\bar{V}, \beta) = e^{\ell(\bar{V}) - 2\beta J L_1 L_3} \sum_{\{\alpha_1, \dots, \alpha_n\}_{\text{adm}} \subset \bar{V}} \prod_{i=1}^n \omega(\alpha_i) \quad (53)$$

We say that an aggregate $\alpha = (\mathfrak{W}, \mathfrak{D}, \mathfrak{D}^+, \mathfrak{D}^-)$ do not touch the substrate if there are no wall of \mathfrak{W} touching the substrate and $\mathfrak{D}^+ = \mathfrak{D}^- = \emptyset$. It is clear from the definitions (41) and (52) that the activity of aggregates not touching the substrate do not depend on K . We use $\text{supp } \alpha = \cup_{w \in \mathfrak{W}} w \cup_{D \in \mathfrak{D} \cup \mathfrak{D}^+ \cup \mathfrak{D}^-} D$ to denote the support of the aggregate $\alpha = (\mathfrak{W}, \mathfrak{D}, \mathfrak{D}^+, \mathfrak{D}^-)$ and use $|\alpha| = \sum_{w \in \mathfrak{W}} |w| + \sum_{D \in \mathfrak{D} \cup \mathfrak{D}^+ \cup \mathfrak{D}^-} |D|$ to denote its area.

Let \mathcal{L} be the line with endpoints $(1/2, 1/2, 1/2)$ and $(1/2, L + 1/2, 1/2)$, (it lies on the plane between the substrate and the first layer and on the plane between W^+ and W^-), and let $\text{pr}(\cdot)$ be the orthogonal projection on the plane $i_3 = 1/2$. We notice that if an aggregate in standard position α touches the substrate, then necessarily the projection of its support $\text{pr}(\text{supp } \alpha)$ contains at least one bond (unit segment) of the line \mathcal{L} ; we will write $\text{pr}(\text{supp } \alpha) \simeq \mathcal{L}$. Let us remark that the support of an aggregate in standard position touching the substrate and with no decoration touching the substrate, contains necessarily a bond of the line \mathcal{L} .

We next introduce the notion of *elementary aggregates* or *elementary walls*. An aggregate $\alpha = (\mathfrak{W}, \mathfrak{D}, \mathfrak{D}^+, \mathfrak{D}^-)$ is called elementary if it contains only one wall w and no decorations, $\mathfrak{D} = \mathfrak{D}^+ = \mathfrak{D}^- = \emptyset$, and if the wall w contains 4 plaquettes, one of them separating a pair between the wall and the bulk. Obviously, there are two kinds of elementary aggregates, depending on whether the wall w separates a pair between the bulk and W^+ or a pair between the bulk and W^- . In the first case the activity of an elementary aggregate, say α_{el}^+ , is given by:

$$\omega(\alpha_{\text{el}}^+) = e^{-6\beta J - 2\beta K} \quad (54)$$

while in the second case, for an elementary aggregate separating the bulk and W^- , say α_{el}^- , one has:

$$\omega(\alpha_{\text{el}}^-) = e^{-6\beta J + 2\beta K} \quad (55)$$

We observe also that the activity of any aggregate $\alpha = (\mathfrak{W}, \mathfrak{D}, \mathfrak{D}^+, \mathfrak{D}^-)$ satisfies the bound (see (41), (43), (49), (50)):

$$\begin{aligned}
|\omega(\alpha)| &\leq \prod_{w \in \mathfrak{W}} e^{-\beta(J-|K|)|w|} \prod_{D \in \mathfrak{D}} |\psi(D)| \prod_{D \in \mathfrak{D}^+} |\psi^+(D)| \prod_{D \in \mathfrak{D}^-} |\psi(D^-)| \\
&\leq \prod_{w \in \mathfrak{W}} e^{-\beta(J-|K|)|w|} \prod_{D \in \mathfrak{D}} (e-1)^{\|D\|} e^{-(2\beta J - a_1)|D|} \\
&\quad \times \prod_{D \in \mathfrak{D}^+} (e-1)^{\|D\|} e^{-[\beta(J-K) - a_1]|D|} \prod_{D \in \mathfrak{D}^-} (e-1)^{\|D\|} e^{-[\beta(J+K) - a_1]|D|} \\
&\leq e^{-[\beta(J-|K|) + a_2]|\alpha|}
\end{aligned} \tag{56}$$

where $a_2 = a_1 + \log(e-1) = \kappa_{\text{cl}} + \log \nu + \log(e-1)$.

This allows to exponentiate the sum in the R.H.S. of (53) as developed in the next subsection.

For $\tilde{Q}(\bar{V}', \beta)$, and the decorated interface $\tilde{I}_{\text{de}} = (\tilde{I}, \mathcal{D})$, we define the aggregates as couples $\tilde{\alpha} = (\mathfrak{W}, \mathfrak{D})$, where \mathfrak{W} is a subset of the set of walls $\mathcal{W}(\tilde{I})$ of the interface and \mathfrak{D} is a subset of \mathcal{D} . Defining the activities of aggregates by

$$\tilde{\omega}(\tilde{\alpha}) = \prod_{w \in \mathfrak{W}} \tilde{\rho}(w) \prod_{D \in \mathfrak{D}} \psi(D) \tag{57}$$

one has

$$\tilde{Q}(\bar{V}', \beta) = e^{-4\beta J L_2 L_3} \sum_{\{\tilde{\alpha}_1, \dots, \tilde{\alpha}_n\}_{\text{adm}} \subset \bar{V}'} \prod_{i=1}^n \tilde{\omega}(\tilde{\alpha}_i) \tag{58}$$

2.7 Multi-indexes of aggregates

To exponentiate the sum in the R.H.S. of (53), we define, as it was done for contours, multi-indexes of aggregates. A multi-index (of aggregate) Y is a function from the set of aggregates into the set of nonnegative integers. We let $\text{supp } Y = \cup_{\alpha: Y(\alpha) \geq 1} \text{supp } \alpha$ denotes the support of the multi-index Y . We define the truncated functional associated with the activity (52) of aggregates by:

$$\Psi(Y) = \frac{a(Y)}{\prod_{\alpha} Y(\alpha)!} \prod_{\alpha} \omega(\alpha)^{Y(\alpha)} \tag{59}$$

where the combinatorial factor $a(Y)$ is defined as in (22).

Again, $a(Y) = 0$ and hence $\Psi(Y) = 0$ unless $\text{supp } Y$ is a connected set, and whenever Y contains only one aggregate α , then $\Psi(Y) = \omega(\alpha)$.

We say that a multi-index Y do not touch the substrate, if it is supported by aggregates not touching the substrate.

Note that the projection of support of multi-indexes Y touching the substrate, $\text{pr}(\text{supp } Y)$, contains (as the projection of the support of standard aggregates touching the substrate) at least a bond of the line \mathcal{L} . We write for such multi-indexes $\text{pr}(\text{supp } Y) \approx \mathcal{L}$.

A consequence of the previous definitions is that the sum in the R.H.S. of (53) can be exponentiated as a sum over multi-indexes of aggregates and we get:

$$\ln Q(\bar{V}, \beta) = \ell(\bar{V}) - 2\beta J L_2 L_3 + \sum_{Y \subset \bar{V}} \Psi(Y) \quad (60)$$

where the sum runs over (non-empty) multi-indexes of aggregates Y with support in \bar{V} .

Lemma 2 *Assume $\beta(J - |K|) \geq 2\kappa_{\text{cl}} + \log(5\nu) + \log(e - 1)$, and let α_0 be a given wall or a given contour, then*

$$\sum_{Y: Y(\alpha_0) \geq 1} |\Psi(Y)| \leq e^{-[\beta(J - |K|) - a_2 - a_0]|\alpha_0|} = e^{-[\beta(J - |K|) - \kappa_{\text{cl}} - \log \nu - \log(e - 1) - a_0]|\alpha_0|} \quad (61)$$

and the series $\sum_{Y: \text{supp } Y \ni i} |\Psi(Y)|$ is absolutely convergent.

Proof We first notice that the number of aggregates α of area $|\alpha| = n$ is less than $(4\nu)^n$. Indeed, an aggregate of area n containing at most $2n$ vertices, the factor $2^{2n} \geq \binom{2n}{k}$ bounds the number of choice of vertices connecting the contours and walls, and the factor ν^n bounds the entropy of contours and walls.

Then, as in Lemma 1, we know from Ref. [15], that under the convergence condition

$$\omega(\alpha) \leq (e^{\mu(\alpha)} - 1) \exp\left[-\sum_{\alpha \approx \alpha_0} \mu(\alpha)\right] \quad (62)$$

(where μ is a positive function), then

$$\sum_{Y: Y(\alpha_0) \geq 1} |\Psi(Y)| \leq \mu(\alpha_0) \quad (63)$$

We choose $\mu(\alpha) = e^{-[\beta(J - |K|) - a_2 - a]|\alpha|}$ to get, by taking into account the above remark on the entropy of aggregates and that the minimal area of walls (and thus of aggregates) is 4, that

$$\sum_{\alpha \approx \alpha_0} \mu(\alpha_0) \leq 2|\alpha| \sum_{n=4}^{\infty} (4\nu)^n e^{-n[\beta(J - |K|) - a_2 - a]} \leq \frac{1}{e^{\beta(J - |K|) - a_2 - a - \log(4\nu)} - 1} |\gamma| \quad (64)$$

provided $2(4\nu)^3 e^{-3[\beta(J-|K|)-a_2-a]} \leq 1$. The factor 2 stems from the fact that an aggregate of area $|\alpha|$ contains at most $2|\alpha|$ vertices. Taking into account the bound (56) on the activities of aggregates and using $\mu(\gamma) \leq e^{\mu(\gamma)} - 1$, one sees that the convergence condition is satisfied whenever

$$\beta(J - |K|) \geq \log(4\nu) + a_2 + a + \log \frac{a+1}{a} \quad (65)$$

Again we take the value $a = a_0 = \frac{\sqrt{5}-1}{2}$ that minimizes the function $a + \log \frac{a+1}{a}$: it provides the condition given in the lemma. \square

We also consider the multi-indexes of the aggregates $\tilde{\alpha}$ and define the truncated functional associated with the activity (57) of these aggregates by:

$$\tilde{\Psi}(Y) = \frac{a(Y)}{\prod_{\tilde{\alpha}} Y(\tilde{\alpha})!} \prod_{\tilde{\alpha}} \tilde{\omega}(\tilde{\alpha})^{Y(\tilde{\alpha})} \quad (66)$$

The quantity $\ln \tilde{Q}(\bar{V}', \beta)$ can be written as the following sum:

$$\ln \tilde{Q}(\bar{V}', \beta) = -4\beta J L_2 L_3 + \sum_{Y \subset \bar{V}'} \tilde{\Psi}(Y) \quad (67)$$

Note that for multi-indexes entering in the expression (60) and not touching the substrate, one has $\Psi(Y) = \tilde{\Psi}(Y)$.

We let $\bar{V}'' = \bar{V}' \setminus \bar{V}$ and P' be the plane $i_3 = 1/2$. Notice that the box \bar{V}'' is the image of \bar{V} by the reflection with respect to this plane. We decompose the sum in the R.H.S. of (67) as follows:

$$\sum_{Y \subset \bar{\Lambda}} \tilde{\Psi}(Y) = \sum_{\substack{Y \subset \bar{V} \\ \text{supp } Y \cap P' = \emptyset}} \tilde{\Psi}(Y) + \sum_{\substack{Y \subset \bar{V}'' \\ \text{supp } Y \cap P' = \emptyset}} \tilde{\Psi}(Y) + \sum_{\substack{Y \subset \bar{V}' \\ \text{supp } Y \cap P' \neq \emptyset}} \tilde{\Psi}(Y) \quad (68)$$

Obviously the first two sums are equal and the first one can be written as a sum over multi-indexes in \bar{V} not touching the substrate, we write $Y \sim W$, giving

$$\ln \tilde{Q}(\bar{V}', \beta) = -4\beta J L_2 L_3 + 2 \sum_{\substack{Y \subset \bar{V} \\ Y \sim W}} \tilde{\Psi}(Y) + \sum_{\substack{Y \subset \bar{V}' \\ \text{supp } Y \cap P' \neq \emptyset}} \tilde{\Psi}(Y) \quad (69)$$

2.8 Existence of the line tension and proof of Theorem 1

We start from equations (60) and (69) and take into account that for multi-indexes Y not touching the substrate, $\Psi(Y) = \tilde{\Psi}(Y)$, to get

$$\begin{aligned} \ln \frac{Q(\bar{V}, \beta)}{(\tilde{Q}(\bar{V}', \beta))^{1/2}} &= \ell(\bar{V}) + \sum_{\substack{Y \subset \bar{V} \\ Y \approx W}} \Psi(Y) - \frac{1}{2} \sum_{\substack{Y \subset \bar{V}' \\ \text{supp } Y \cap P' \neq \emptyset}} \tilde{\Psi}(Y) \\ &= \ell(\bar{V}) + \sum_{\substack{Y \subset \bar{V} \\ \text{pr}(\text{supp } Y) \approx \mathcal{L}}} \Psi(Y) - \frac{1}{2} \sum_{\substack{Y \subset \bar{V}' \\ \text{supp } Y \cap P' \neq \emptyset}} \tilde{\Psi}(Y) \end{aligned} \quad (70)$$

where the first sum in the R.H.S. of the above equation is over multi-indexes of aggregates with support in \bar{V} touching the substrate: recall that the projection of the support of multi-indexes of aggregates touching the substrate contains at least a bond of the line \mathcal{L} . Notice that the (orthogonal) projection $\text{pr}(\text{supp } Y)$ of the support of any multi-index Y whose support intersects the plane P' contains necessarily a bond of the line \mathcal{L} . We write $\text{pr}(\text{supp } Y) \approx \mathcal{L}$ for such clusters, getting:

$$\ln \frac{Q(\bar{V}, \beta)}{(\tilde{Q}(\bar{V}', \beta))^{1/2}} = \ell(\bar{V}) + \sum_{\substack{Y \subset \bar{V} \\ \text{pr}(\text{supp } Y) \approx \mathcal{L}}} \Psi(Y) - \frac{1}{2} \sum_{\substack{Y \subset \bar{V}' \\ \text{pr}(\text{supp } Y) \approx \mathcal{L}}} \tilde{\Psi}(Y) \quad (71)$$

Let us introduce the infinite boxes

$$\hat{V} = \lim_{L_3 \rightarrow \infty} \bar{V} = \{i = (i_1, i_2, i_3) \in \mathbb{L} : i_1 \in \mathbb{Z}, 0 \leq i_2 \leq L, 1 \leq i_3 \leq \infty\}$$

and $\hat{V}' = \lim_{L_3 \rightarrow \infty} \bar{V}'$. The absolute convergence of the series of truncated functions (of clusters and multi-indexes of aggregates) implies the existence of the limit, $\lim_{L_3 \rightarrow \infty} \log[Q(\bar{V}, \beta)/(\tilde{Q}(\bar{V}', \beta))^{1/2}]$. We denote this limit by $F(\hat{V})$. One has

$$F(\hat{V}) = \ell(\hat{V}) + \sum_{\substack{Y \subset \hat{V} \\ \text{pr}(\text{supp } Y) \approx \mathcal{L}}} \Psi(Y) - \frac{1}{2} \sum_{\substack{Y \subset \hat{V}' \\ \text{pr}(\text{supp } Y) \approx \mathcal{L}}} \tilde{\Psi}(Y) \quad (72)$$

Here $\ell(\hat{V})$ is defined by (35) with V replaced by \hat{V} , and the first sum in the R.H.S. is over multi-indexes of aggregates with support in \hat{V} touching the substrate.

We denote \mathbf{L} the infinite line ($i_1 = 1/2, i_3 = 1/2$). Then, again the absolute convergence of the series of truncated functions implies the existence of the limit $\lim_{L_2 \rightarrow \infty} F(\hat{V})/L_2$. As a result, we get:

$$-\beta\lambda(\beta) = s_{\text{cl}} + s_{\text{aggr}} + s_{\text{aggr}} \quad (73)$$

where the convergent series s_{cl} , s_{agg} , and s_{aggr} are given by:

$$s_{\text{cl}} = \frac{1}{2} \sum_{\substack{X : X \subset \mathbb{L} \\ \text{pr}(\text{supp } X) \ni b}} \frac{\Phi^+(X) + \Phi^-(X)}{|\text{pr}(\text{supp } X) \cap \mathbf{L}|} \quad (74)$$

$$s_{\text{agg}} = \sum_{\substack{Y : \text{supp } Y \subset \mathbb{L} \\ \text{pr}(\text{supp } Y) \ni b}} \frac{\Psi(Y)}{|\text{pr}(\text{supp } Y) \cap \mathbf{L}|} \quad (75)$$

$$s_{\text{aggr}} = -\frac{1}{2} \sum_{\substack{Y : \text{supp } Y \subset \mathbb{Z}^3 \\ \text{pr}(\text{supp } Y) \ni b}} \frac{\tilde{\Psi}(Y)}{|\text{pr}(\text{supp } Y) \cap \mathbf{L}|} \quad (76)$$

The sum s_{cl} is over clusters inside the semi-infinite lattice \mathbb{L} whose projection on the plane $i_3 = 1/2$ contains a bond b of the line \mathbf{L} , and the sums s_{agg} and s_{aggr} are over multi-indexes of aggregates with support inside \mathbb{L} and \mathbb{Z}^3 respectively, whose projection contains a bond b of the line \mathbf{L} , $|\text{pr}(\text{supp } X) \cap \mathbf{L}|$ and $|\text{pr}(\text{supp } Y) \cap \mathbf{L}|$ are the respective lengths of $\text{pr}(\text{supp } X) \cap \mathbf{L}$ and $\text{pr}(\text{supp } Y) \cap \mathbf{L}$.

We have used the (standard) decompositions:

$$\begin{aligned} \frac{1}{L_2} \sum_{\substack{X \subset \hat{V} \\ X \approx W^+ \\ X \approx W^-}} \Phi^\pm(X) &= \frac{1}{L_2} \sum_{\substack{X \cap \hat{V} \neq \emptyset \\ X \approx W^+ \\ X \approx W^-}} \Phi^\pm(X) - \frac{1}{L_2} \sum_{\substack{X \cap \hat{V} \neq \emptyset, X \cap (\mathbb{L} \setminus \hat{V}) \neq \emptyset \\ X \approx W^+ \\ X \approx W^-}} \Phi^\pm(X) \\ \frac{1}{L_2} \sum_{\substack{Y : \text{supp } Y \subset \hat{V} \\ \text{pr}(\text{supp } Y) \approx \mathcal{L}}} \Psi(Y) &= \frac{1}{L_2} \sum_{\substack{Y : \text{supp } Y \cup \hat{V} \neq \emptyset \\ \text{pr}(\text{supp } Y) \approx \mathcal{L}}} \Psi(Y) - \frac{1}{L_2} \sum_{\substack{Y : \text{supp } Y \cup \hat{V} \neq \emptyset \\ \text{supp } Y \cup (\mathbb{L} \setminus \hat{V}) \neq \emptyset \\ \text{pr}(\text{supp } Y) \approx \mathcal{L}}} \Psi(Y) \\ \frac{1}{L_2} \sum_{\substack{Y \subset \hat{\Omega} \\ \text{pr}(\text{supp } Y) \approx \mathcal{L}}} \tilde{\Psi}(Y) &= \frac{1}{L_2} \sum_{\substack{Y : \text{supp } Y \cap \hat{V}' \neq \emptyset \\ \text{pr}(\text{supp } Y) \approx \mathcal{L}}} \tilde{\Psi}(Y) - \frac{1}{L_2} \sum_{\substack{Y : \text{supp } Y \cup \hat{V}' \neq \emptyset \\ \text{supp } Y \cup (\mathbb{Z}^3 \setminus \hat{V}') \neq \emptyset \\ \text{pr}(\text{supp } Y) \approx \mathcal{L}}} \tilde{\Psi}(Y) \end{aligned}$$

Both the second sums in the R.H.S. of the above equations tends to 0 in the limit $L_2 \rightarrow \infty$, while the first sums (in these R.H.S.) can be rewritten, by taking into account the translation invariance of $\Phi^\pm(X)$, $\Psi(Y)$, and $\tilde{\Psi}(Y)$ with respect to the

i_2 -direction, as:

$$\begin{aligned} \sum_{\substack{X \cap \hat{V} \neq \emptyset \\ X \approx W^+ \\ X \approx W^-}} \Phi^\pm(X) &= \sum_{b \in \mathcal{L}} \sum_{X: \text{pr}(\text{supp } X) \ni b} \frac{\Phi^\pm(X)}{|\text{pr}(\text{supp } X) \cap \mathcal{L}|} \\ \sum_{\substack{Y: \text{supp } Y \cup \hat{V} \neq \emptyset \\ \text{pr}(\text{supp } Y) \approx \mathcal{L}}} \Psi(Y) &= \sum_{b \in \mathcal{L}} \sum_{Y: \text{pr}(\text{supp } Y) \ni b} \frac{\Psi(Y)}{|\text{pr}(\text{supp } Y) \cap \mathcal{L}|} \\ \sum_{\substack{Y: \text{supp } Y \cap \hat{V}' \neq \emptyset \\ \text{pr}(\text{supp } Y) \approx \mathcal{L}}} \tilde{\Psi}(Y) &= \sum_{b \in \mathcal{L}} \sum_{Y: \text{pr}(\text{supp } Y) \ni b} \frac{\tilde{\Psi}(Y)}{|\text{pr}(\text{supp } Y) \cap \mathcal{L}|} \end{aligned}$$

which lead to (74), (75), and (76) in the limit $L_3 \rightarrow \infty$.

The leading terms of the three series may be easily found. For the series s_{cl} , we notice that the smallest cluster X entering in the sum contains 10 plaquettes among them one plaquette separates the lattice from W^+ and another one separates the lattice from W^- . Since, as mentioned above, the truncated functions of such clusters coincide with the weight of the corresponding contour γ ($|\gamma^{\text{bk}}| = 8, |\gamma^W| = 2$), one has

$$s_{\text{cl}} = \frac{1}{2}(e^{-16\beta J - 4\beta K} + e^{-16\beta J + 4\beta K}) + \text{higher order} \quad (77)$$

For the series s_{agg} , the smallest multi-indexes are the ones corresponding to the elementary aggregates. As noticed above, the truncated functions of such multi-indexes coincide with the weights of the corresponding aggregates (see (54) and 55)). We have thus

$$s_{\text{agg}} = e^{-6\beta J}(e^{2\beta K} + e^{-2\beta K}) + \text{higher order} \quad (78)$$

Finally, for the series s_{aggr} , the smallest cluster entering in the sum, contains 4 plaquettes. The truncated function of such multi-index coincides with the weight (given by (45) and (57)) of the corresponding aggregate, and therefore:

$$s_{\text{aggr}} = e^{-8\beta J} + \text{higher order} \quad (79)$$

Acknowledgements

L.L. thanks the warm hospitality and financial support of the Centre de Physique Théorique and the Université du Sud Toulon-Var.

References

- [1] W. L. Winterbottom. Equilibrium shape of a small particle in contact with a foreign substrate. *Acta Metallurgica*, **15**:303–310, 1967.
- [2] B. Widom. Line tension and the shape of a sessile drop. *J. Phys. Chem.*, **99**:2803–2806, 1995.
- [3] L. Zugardi, R. Rosso, and E. Virga. Sessile droplets with negative line tension. Preprint.
- [4] G. P. Kubalski and M. Napiorkowski. A droplet in a cone–line tension effects. *J. Phys.: Condens. Matter*, **12**:9221–9229, 2000.
- [5] G. Alberti, G. Bouchitté, and P. Seppecher. Phase transition with line tension effect. *Arch. Ration. Mech. An.*, **144**:1–46, 1998.
- [6] P. Seppecher. Line tension effect upon static wetting. *Oil & Gas Science and Technology–Rev. IFP*, **56**:77–81, 2001.
- [7] J. Fröhlich and C.-E. Pfister. The wetting and layering transitions in the half-infinite Ising model. *Europhys. Lett.*, **3**:845–852, 1987.
- [8] J. Fröhlich and C.-E. Pfister. Semi-infinite Ising model: I. Thermodynamic functions and phase diagram in absence of magnetic field. *Commun. Math. Phys.*, **109**:493–523, 1987.
- [9] J. Fröhlich and C.-E. Pfister. Semi-infinite Ising model: II. the wetting and layering transitions. *Commun. Math. Phys.*, **112**:51–74, 1987.
- [10] C.-E. Pfister and O. Penrose. Analyticity properties of the surface free energy of the Ising model. *Commun. Math. Phys.*, **115**:691–699, 1988.
- [11] T. Bodineau, D. Ioffe, and Y. Velenik. Winterbottom construction for finite range ferromagnetic models: An \mathbb{L}_1 -approach. *J. Stat. Phys.*, **105**:93–131, 2001.
- [12] J. L. Lebowitz and C.-E. Pfister. Surface tension and phase coexistence. *Phys. Rev. Lett.*, **46**:1031–1033, 1981.
- [13] S. Miracle-Solé. Surface tension, step free energy, and facets in the equilibrium crystal. *J. Stat. Phys.*, **79**:183, 1995.

- [14] A. Martin Löf, G. Gallavotti, and S. Miracle–Solé. Some problems connected with the coexistence of phase in the Ising model. In *Statistical mechanics and mathematical problems*, Lecture Notes in Physics, volume 20, page 162. Springer, Berlin, 1973.
- [15] S. Miracle-Solé. On the convergence of cluster expansion. *Physica*, **A 279**:244, 2000.
- [16] R. L. Dobrushin. Gibbs states describing the coexistence of phases for a three-dimensional Ising model. *Theory Prob. Appl.*, **17**:582, 1972.
- [17] J. Bricmont, J. L. Lebowitz, C.–E. Pfister, and E. Olivieri. Non-translation invariant Gibbs states with coexisting phases I. *Commun. Math. Phys.*, **66**:1, 1979.
- [18] J. Bricmont, J. L. Lebowitz, and C.–E. Pfister. Non-translation invariant Gibbs states with coexisting phases II. *Commun. Math. Phys.*, **66**:21, 1979.
- [19] J. Bricmont, J. L. Lebowitz, and C.–E. Pfister. Non-translation invariant Gibbs states with coexisting phases III. *Commun. Math. Phys.*, **66**:267, 1979.
- [20] P. Holický, R. Kotecký, and M. Zahradník. Rigid interfaces for lattice models at low temperatures. *J. Stat. Phys.*, **50**:755, 1988.